



## Film Capacitors – AC Capacitors

### Motor run capacitors

**Series/Type:** B32355 – MotorCap S3 Compact  
**Ordering code:** B32355



**Date:** September 2016  
**Version:** 7

EPCOS AG 2016. Reproduction, publication and dissemination of this publication, enclosures hereto and the information contained therein without EPCOS' prior express consent is prohibited.

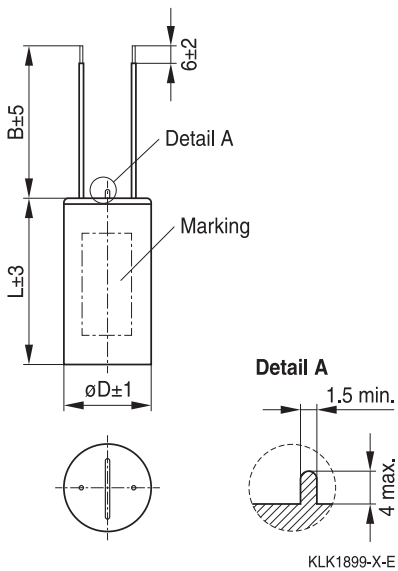
EPCOS AG is a TDK Group Company.





Approvals	
VDE – 400 V/85 °C: 30000 h (class A)	Approved
VDE – 450 V/85 °C: 10000 h (class B)	Approved
 UL 810 E106388	Approved component 10000 AFC, protected up to 450 V
	Compliance to LV directive 2014/35/EU
Logistics	
Delivery mode	„ EU pallet as standard „ Cardboard tape on pallet „ Pack unit, see dimension table

Dimensional drawings



Mounting hole requirement at the customer machi

**Ordering codes & Packaging units**

V <sub>R</sub>	C <sub>R</sub>	Dimensions D x L	Ordering code	Packing units
V AC	μF	mm		pcs
400/450	2	25 x 58 <sup>1</sup>	B32355A4205J0*x	112
	2.5	25 x 58 <sup>1</sup>	B32355A4255J0*x	112
	3	30 x 62	B32355A4305J0*x	112
	3.15	30 x 62	B32355A4315J5*x	112
	4	30 x 62	B32355A4405J0*x	112
	5	35 x 62	B32355A4505J0*x	84
	6	35 x 62	B32355A4605J0*x	84
	6.3	35 x 62	B32355A4635J0*x	84
	7	35 x 62	B32355A4705J0*x	84
	7.5	35 x 71	B32355A4755J0*x	84
	8	35 x 71	B32355A4805J0*x	84
	9	35 x 71	B32355A4905J0*x	84
	10	35 x 71	B32355A4106J0*x	84
	11	40 x 71	B32355A4116J0*x	60
	12	40 x 71	B32355A4126J0*x	60
	12.5	40 x 71	B32355A4126J5*x	60
	14	45 x 71	B32355A4146J0*x	45
	15	45 x 71	B32355A4156J0*x	45
	16	45 x 96	B32355A4166J0*x	45
	17.5	45 x 96	B32355A4176J5*x	45
18	50 x 96	B32355A4186J0*x	32	
20	50 x 96	B32355A4206J0*x	32	

<sup>1</sup> With M8 bolt construction the dimension (L) will increase by 8mm

**Composition of ordering code**

\* : construction

- 1 plastic can
- 3 plastic can with M8 bolt
- 5 plastic can with fast fixation device, available for diameter 30 mm and 35 mm, others on request

x : Wire length (dimension 'b' in drawing) up on request.

### Display of ordering codes for EPCOS products

The ordering code for one and the same product can be represented differently in data sheets, data books, other publications and the website of EPCOS, or in order-related documents such as shipping notes, order confirmations and product labels. **The varying representations of the ordering codes are due to different processes employed and do not affect the specifications of the respective products.** Detailed information can be found on the Internet under [www.epcos.com/orderingcodes](http://www.epcos.com/orderingcodes)

### Cautions and warnings

**6** Please read “Applications warning, installation and maintenance instructions” and the “General Safety Data Sheet for Power Capacitors” issued by ZVEI, which are available on the internet at [www.epcos.com/ac\\_capacitors](http://www.epcos.com/ac_capacitors), to ensure optimum performance and to prevent products from failing, and in worst case, bursting and fire. Information given in the data sheet reflects typical specifications. You are kindly requested to approve our product specifications or request our approval for your specification before ordering.

